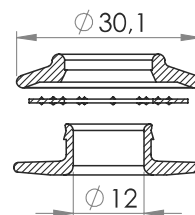


Grommets and eyelets

Clip Grommets

04-512
Clip Grommet Set, Ø 12mm


Plastic clip grommet for reinforcement of 12mm holes in textiles, awnings, tarpaulins, banners etc. Can be inserted manually. Punched hole Ø 14mm (smaller for flexible material)



Variant	Material	Shore	Color	Stock	Pack	Prop.	Use	Comments
04-512-7412	PP+PP		☐	✓	4 x 4 x 250			Incl. Washer
04-512-7103	PP+PP		☐	✓	4 x 1.000			
04-512-7062	PP+PP		☐	✓	4 x 1.000			Incl. Washer
04-512-7052	PP+PP		☐	✓	4 x 1.000			Incl. Washer
04-512-7401	PP+PP		☐	✓	4 x 4 x 250			Incl. Washer
04-512-7105	PP+PP		☐	✓	4 x 1.000			
04-512-7053	PP+PP		■	✓	4 x 1.000			Incl. Washer
04-512-7403	PP+PP		■	✓	4 x 4 x 250			Incl. Washer
04-512-7107	PP+PP		■	✓	4 x 1.000			
04-512-7108	PP+PP		■	✓	4 x 1.000			
04-512-7055	PP+PP		■	✓	4 x 1.000			Incl. Washer
04-512-7110	PP+PP		■	✓	4 x 1.000			
04-512-7063	PP+PP		■	✓	4 x 1.000			Incl. Washer
04-512-7415	PP+PP		■	✓	4 x 4 x 250			Incl. Washer
04-512-7059	PP+PP		■	✓	4 x 1.000			Incl. Washer
04-512-7411	PP+PP		■	✓	4 x 4 x 250			Incl. Washer
04-512-7112	PP+PP		■	✓	4 x 1.000			
04-512-7114	PP+PP		■	✓	4 x 1.000			
04-512-7058	PP+PP		■	✓	4 x 1.000			Incl. Washer
04-512-7409	PP+PP		■	✓	4 x 4 x 250			Incl. Washer
04-512-7117	PP+PP		■	✓	4 x 1.000			
04-512-7405	PP+PP		■	✓	4 x 4 x 250			Incl. Washer
04-512-7050	PP+PP		■	✓	4 x 1.000			Incl. Washer

Fits With:



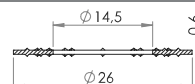
04-510



07-512

04-510
Washer for Ø 12mm Clip Grommet


Washer for use with Ø 12mm clip grommet, when used with thin materials (<0,8mm)



Variant	Material	Shore	Color	Stock	Pack	Prop.	Use	Comments
04-510-1106	EBA		☐	✓	Call for quote			
04-510-1056	EBA		☐	✓	Call for quote			
04-510-1054	EBA		■	✓	Call for quote			

Fits With:



04-512

Properties:


Cold-resistant



UV-resistant



Oil-resistant


 Re-inforced/
armed

22

Use:


HF-weldable


 Ultrasonic
weldable

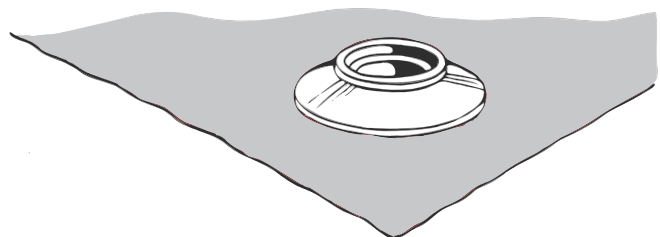
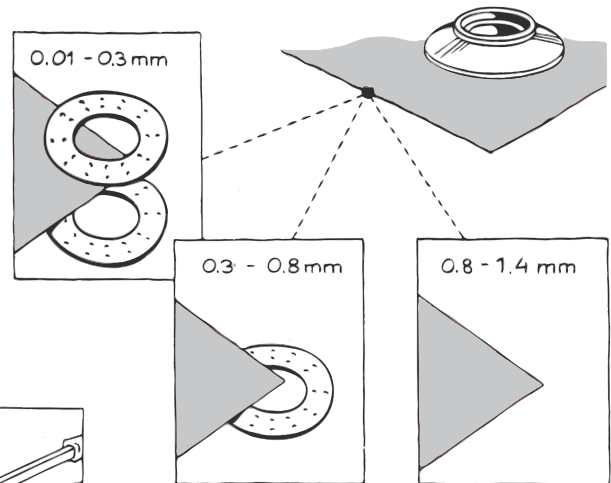
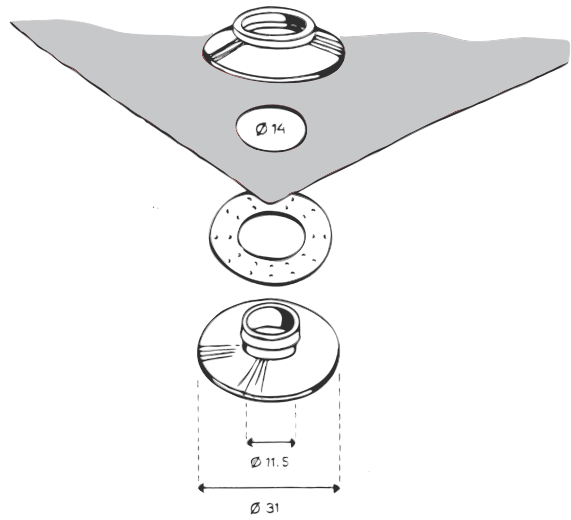
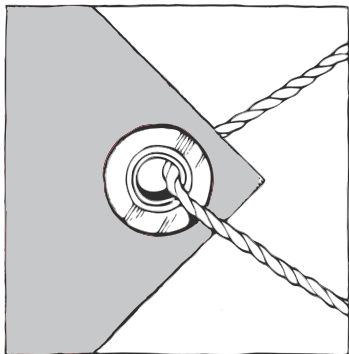
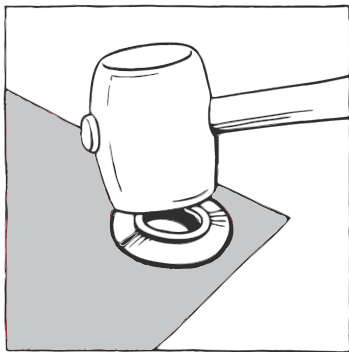
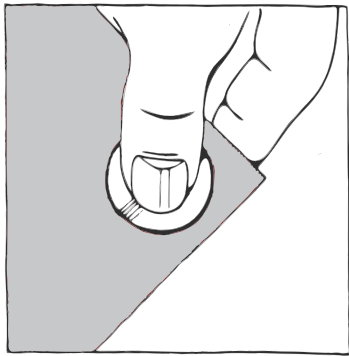
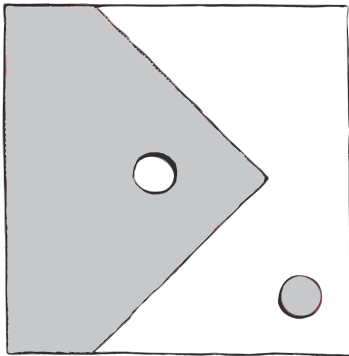

Glueable



Sterilizable

All geometrical dimensions and functional information are indicative. (Unless tolerances are specified). Carmo is not responsible for misprints and technical changes.

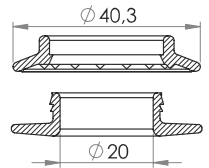
Using Clip Grommets



Grommets and Eyelets

04-522
Clip Grommet Set, Ø 20mm


Plastic snap grommet for reinforcement of 20mm holes in textiles, awnings, tarpaulins, banners etc. Can be inserted manually. Punched hole Ø 24mm (smaller for flexible material)

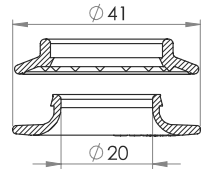


Variant	Material	Shore	Color	Stock	Pack	Prop.	Use	Comments
04-522-7302	PP+PP		□	✓	1 x 2.000			
04-522-7005	PP+PP		□	✓	1 x 2.000			
04-522-7007	PP+PP		■	✓	1 x 2.000			
04-522-7016	PP+PP		■	✓	1 x 2.000			
04-522-7008	PP+PP		■	✓	1 x 2.000			
04-522-7011	PP+PP		■	✓	1 x 2.000			
04-522-7012	PP+PP		■	✓	1 x 2.000			
04-522-7015	PP+PP		■	✓	1 x 2.000			

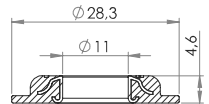
04-523
Ventilation Grommet Set, Ø 20mm


Low profile air nozzles for ventilation socks. Optimised hole geometry for low noise.

Variant	Material	Shore	Color	Stock	Pack	Prop.	Use	Comments
04-523-7002	PP+PP		□	✓	4 x 500			
04-523-7005	PP+PP		■	✓	4 x 500			


Metal Reinforced Eyelets
04-283
Metal Reinforced Eyelet (Pat. Pending).

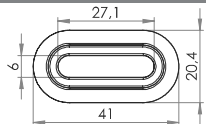

Get the best from both worlds! The ultimate eyelet for demanding applications. High pull forces and durability. A metal eyelet moulded directly into the plastic eyelet delivers superior strength and durability compared to traditional plastic eyelets.



Variant	Material	Shore	Color	Stock	Pack	Prop.	Use	Comments
04-283-7001	PVC (PY28)		□	✓				

Eyelets, oval and square
04-134
Eyelet, oval, 6/27mm


Oval PVC eyelet with square shoulders, for HF welding onto banners, tarpaulins, building wraps etc. 6x27mm hole.



Variant	Material	Shore	Color	Stock	Pack	Prop.	Use	Comments
04-134-1005	PVC (PY28)		□	✓	4 x 3.000		HF-weldable	
04-134-1007	PVC (PY28)		■	✓	4 x 3.000		HF-weldable	

Properties:


Cold-resistant



UV-resistant



Oil-resistant


 Re-inforced/
armed

24
Use:


HF-weldable


 Ultrasonic
weldable


Glueable



Sterilizable

All geometrical dimensions and functional information are indicative. (Unless tolerances are specified). Carmo is not responsible for misprints and technical changes.



carmo
Your partner in plastic components

Metal Reinforced Eyelet (pat. Pending)

- Combining the best from both worlds
- 3 x Stronger than your standard solution

**High Pull Force and Du-
rability**

**Increased Lifetime on
your Ropes and Lines**

**Use your existing HF
equipment**

**Reduce your number of
Production Processes**



Carmo A/S, Hoejvangen 19, DK-3060 Espergaerde, Denmark
T: +45 4912 2100, F: +45 4912 2199, E: denmark@carmo.dk
www.carmo.dk